

RTLS UWB MODULE

Based on outdoor satellite positioning technology, it cannot be used indoors normally. WENSHING released the [RTLS UWB Precise Positioning Module](#) (model: [UWB-22DBAB](#)) in April 2021. It is solve the problem of unable to receive GPS signals indoors and unable to locate. Two-way sensing to ensure high accuracy, the error is within 10cm; high power, low power consumption; strong penetrating power; large capacity and fast transmission speed. Wenxing electronic antenna design uses an innovative PCB high-frequency antenna built into the module, users can quickly import products, the distance is more than 800M (open area) and ultra small size. The number of plant deployments does not need to be large, minimization of cost and maximization of utility.

Application

- Remote control aircraft
- Unmanned vehicles
- Forklift positioning
- Items positioning
- Vehicle anti-theft
- Soil and rock flow monitoring
- Building monitoring
- Automatic positioning of crane tower
- Port wall cabinet automation
- Medical equipment
- Positioning the base station



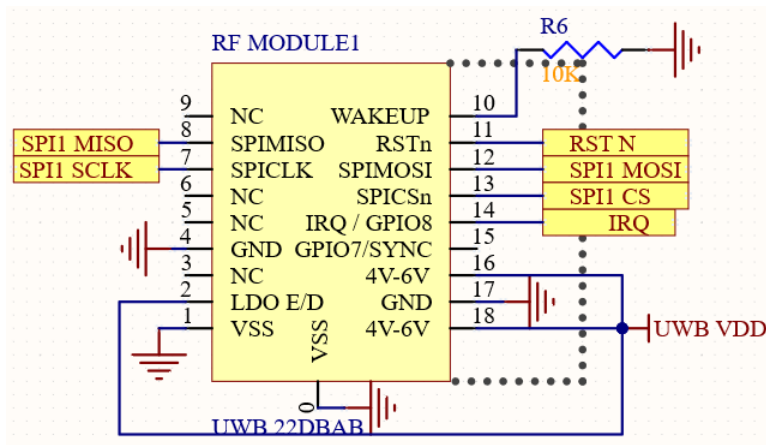
Features

- High power -9dBm(MHz)
- Positioning accuracy 10cm
- Built-in antenna
- Ultra long distance 800meters
- Two-way communication
- Low power consumption
- TDOA positioning
- 5V low working voltage
- Integrated MAC support function
- 23*50mm ultra-small size
- Highly stable TCXO crystal oscillator
- TTL UART communication interface

Model : **UWB-22DBAB**

Parameter	Specification			Unit	Condition
	Min.	Typ.	Max.		
Frequency Range	3744		4243.2	MHz	
Transmitted power		-9		dBm	MHz
Data Rate	110		6800	Kbps	
Adjacent Channel (±12.5 kHz)		62		dBm	
Supply Voltage, VDD	4.5		5.5	V	DC
Operating Temperature	-40		+80	°C	

Pin Assignment



Dimension

