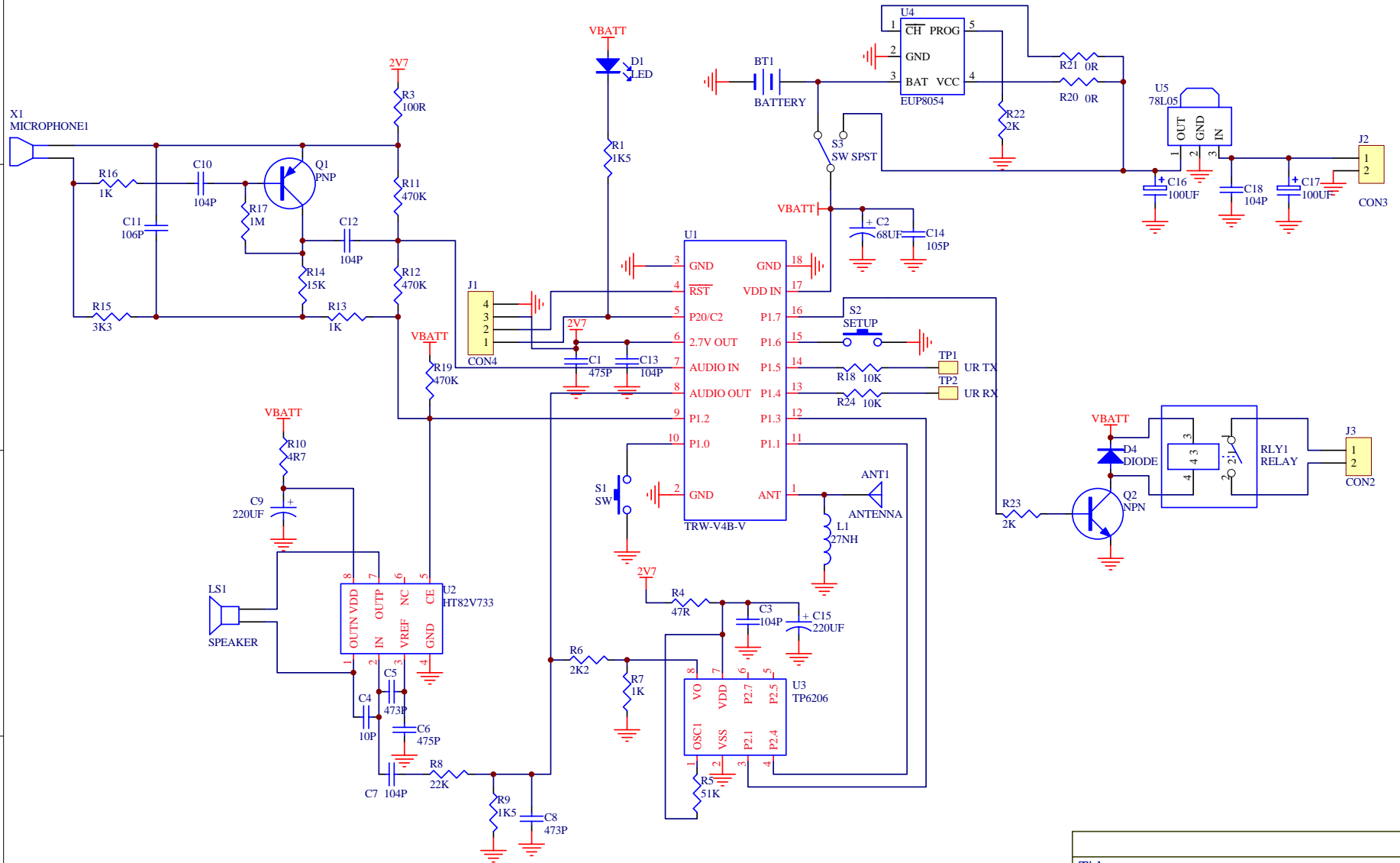


TRW-V4B-V Application Circuit



The road map set out in all the patents, copyrights, trade secrets or technology obsessed secretary (Know-How) and ownership, without the written consent of the Company, will be allowed to copy, photography and reproduced, the company will retain the right to legal recourse.

| | | |
|-----------------|-------------------------------|-----------|
| Title | | |
| WENSHENG | | |
| Size | Document Number | Rev |
| A4 | TRW-V4B-V Application Circuit | |
| Date: | 09/03/2008 | Sheet: of |