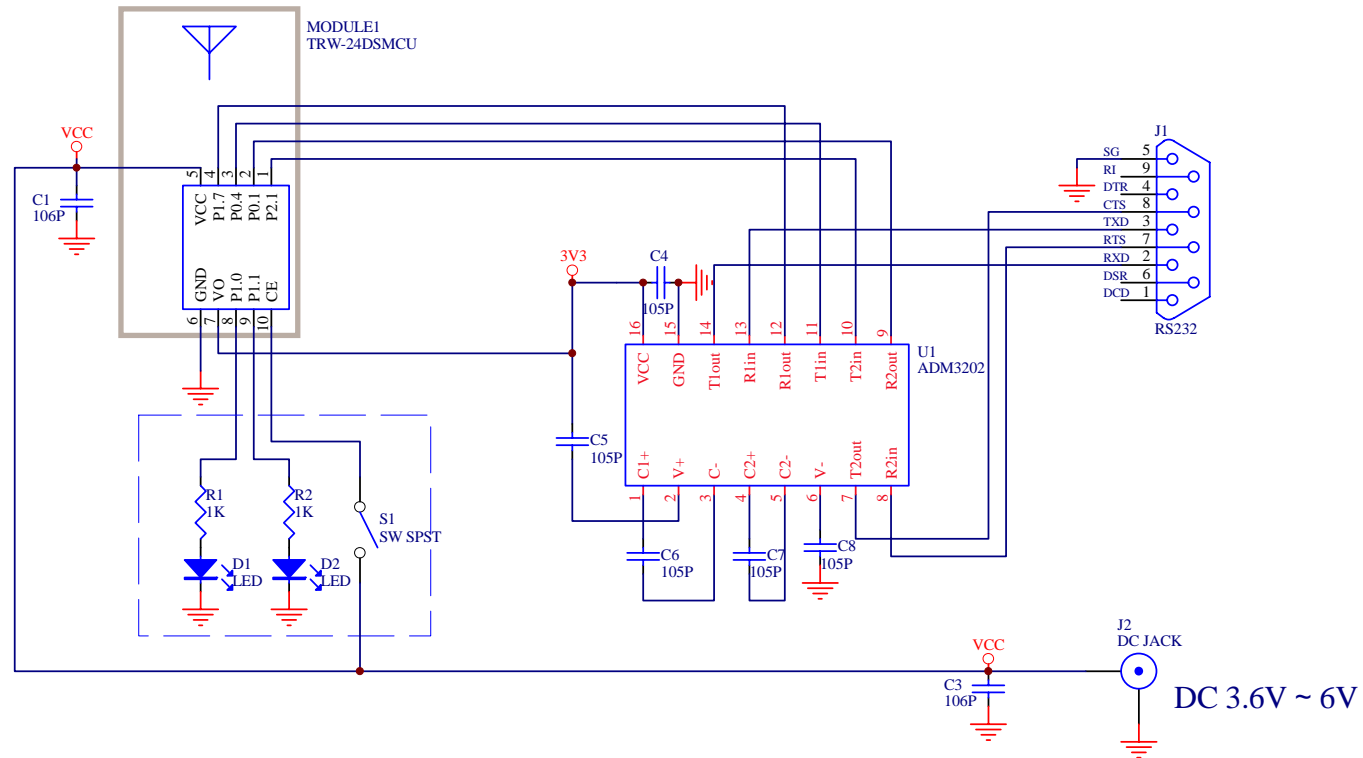


TRW-24DSMCU to RS232 Demo Circuit



The road map set out in all the patents, copyrights, trade secrets or technology obsessed secretary (Know-How) and ownership, without the written consent of the Company, will be allowed to copy, photography and reproduced, the company will retain the right to legal recourse.

Title		
WENSHENG		
Size	Document Number	Rev
A4	TRW-24DSMCU	
Date:	31/03/2009	Sheet: of