

TWS-F86L**HI POWER 10mW FM stereo transmitter****Applications**

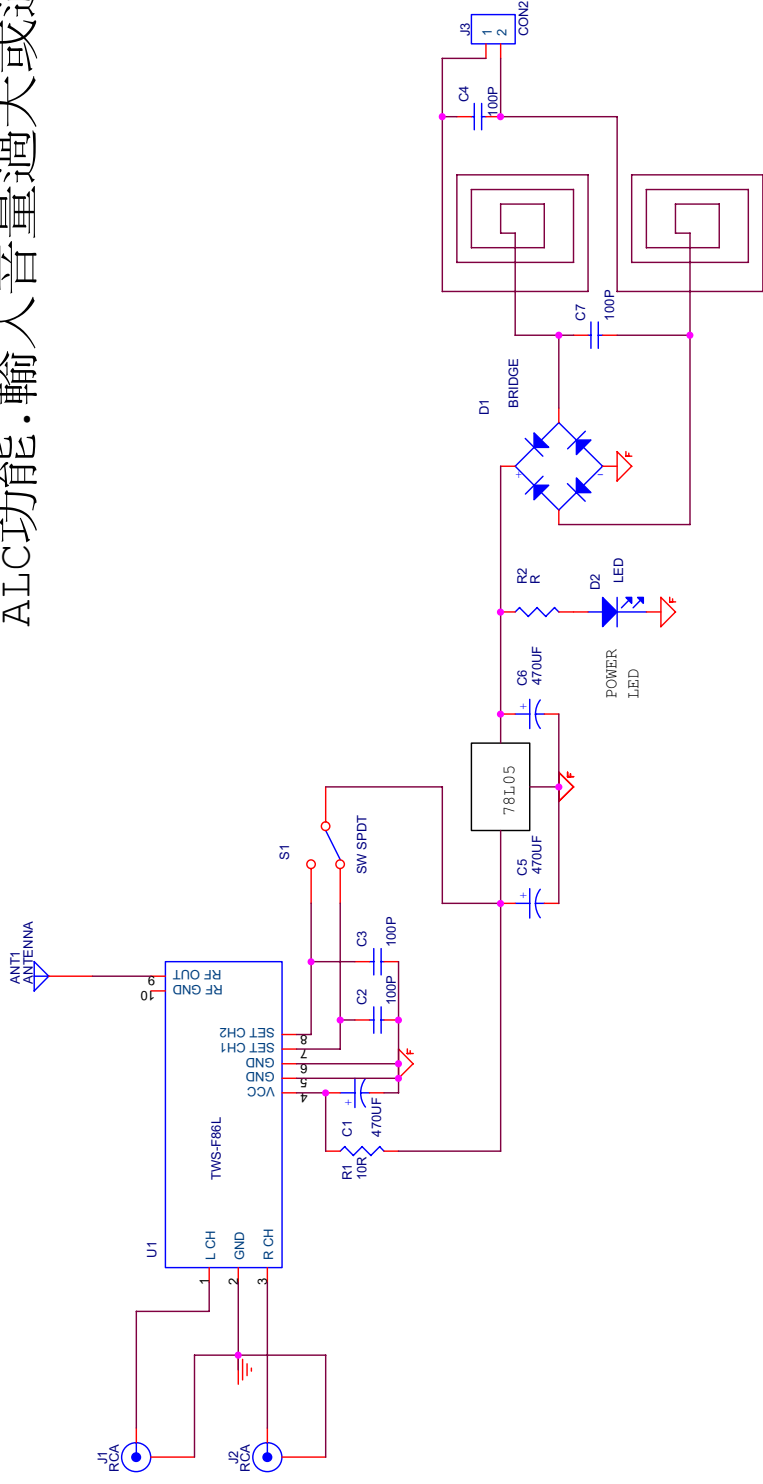
● FM stereo	● PLL controls 2 CH set
● 863.5,864.5MHz ISM	● Analog Communication Systems

- AUDIO IN 50-15000Hz
- stereo

Parameter	Specification			Unit	Condition
	Min.	Typ.	Max.		
Frequency Range	863.5		864.5	MHz	
Power Control					
Control Voltage VPD	0		2.4	V	
Power Supply Voltage	4.5		5.5	V	
Maximum Power Level		+8		dBm	
Current Consumption		80		mA	

Pin	Function	Description
1	AUDIO IN L	AUDIO IN L
2	GND	GND
3	AUDIO IN R	AUDIO IN R
4	GND	GND
5	VDD	VDD PORWE IN
6	CH SET	A logic high (OSC SEL>2.0V) applied to this pin powers on reference 868MHz and powers down reference 868.3MHz

自動靜噪功能.無聲20S自動關做RF. ALC功能.輸入音量過大或過小自動調諧音量

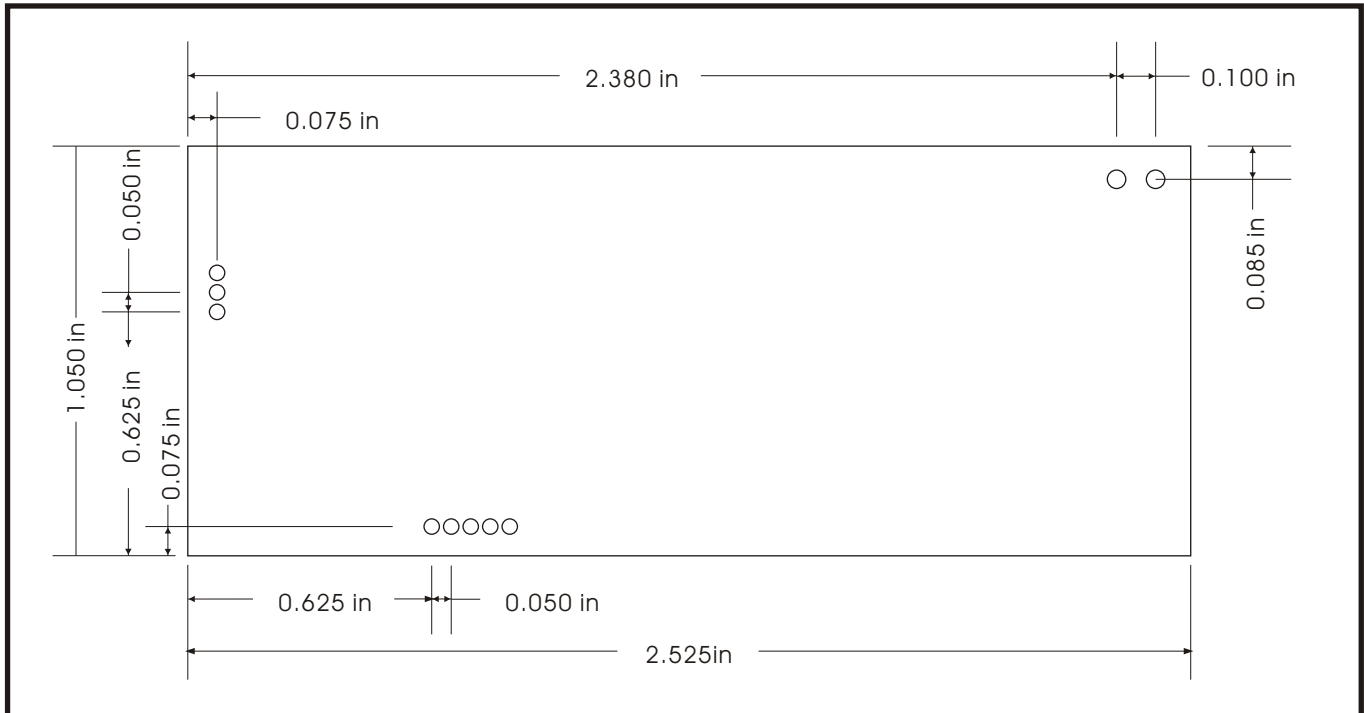


Title: WENSHING

Size: B	Document Number: TWS-F86L	Rev: <Rev
Date: Wednesday, February 26, 2003	Sheet: 2	of 3

SIZE VIEW:(unit:in)

Module:TWS-F86L



Application note:

