

# WENSHING® RWS-F86L

## FM STEREO RECEIVER ISM

### Applications

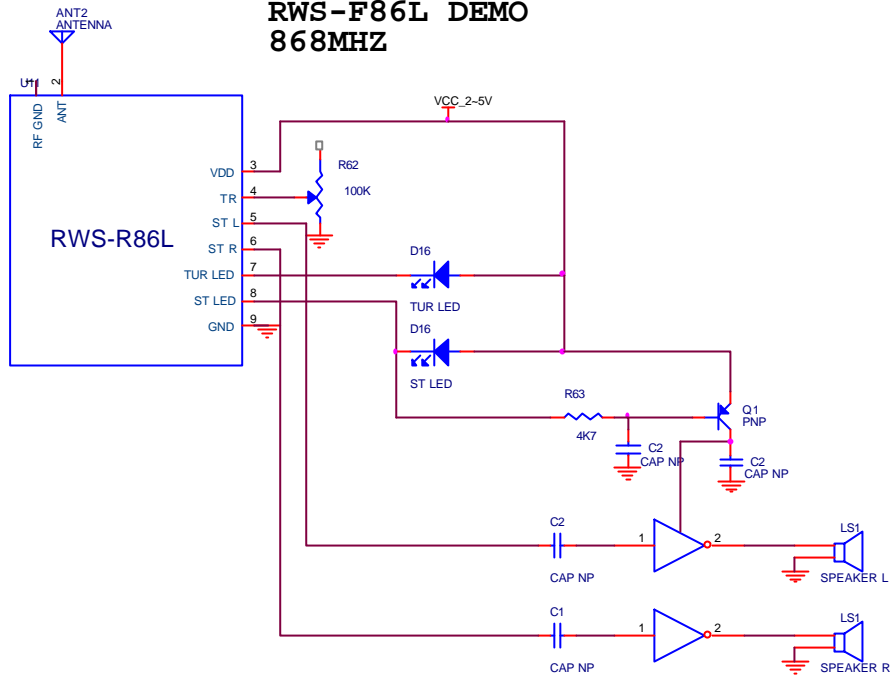
● FM stereo receiver	● To adjust frequency
● 863.5,864.5MHz ISM	● Analog Communication Systems

- **AUDIO OUT 50-15000Hz**
- **Stereo point out (LED)**
- **Built-in AFC**

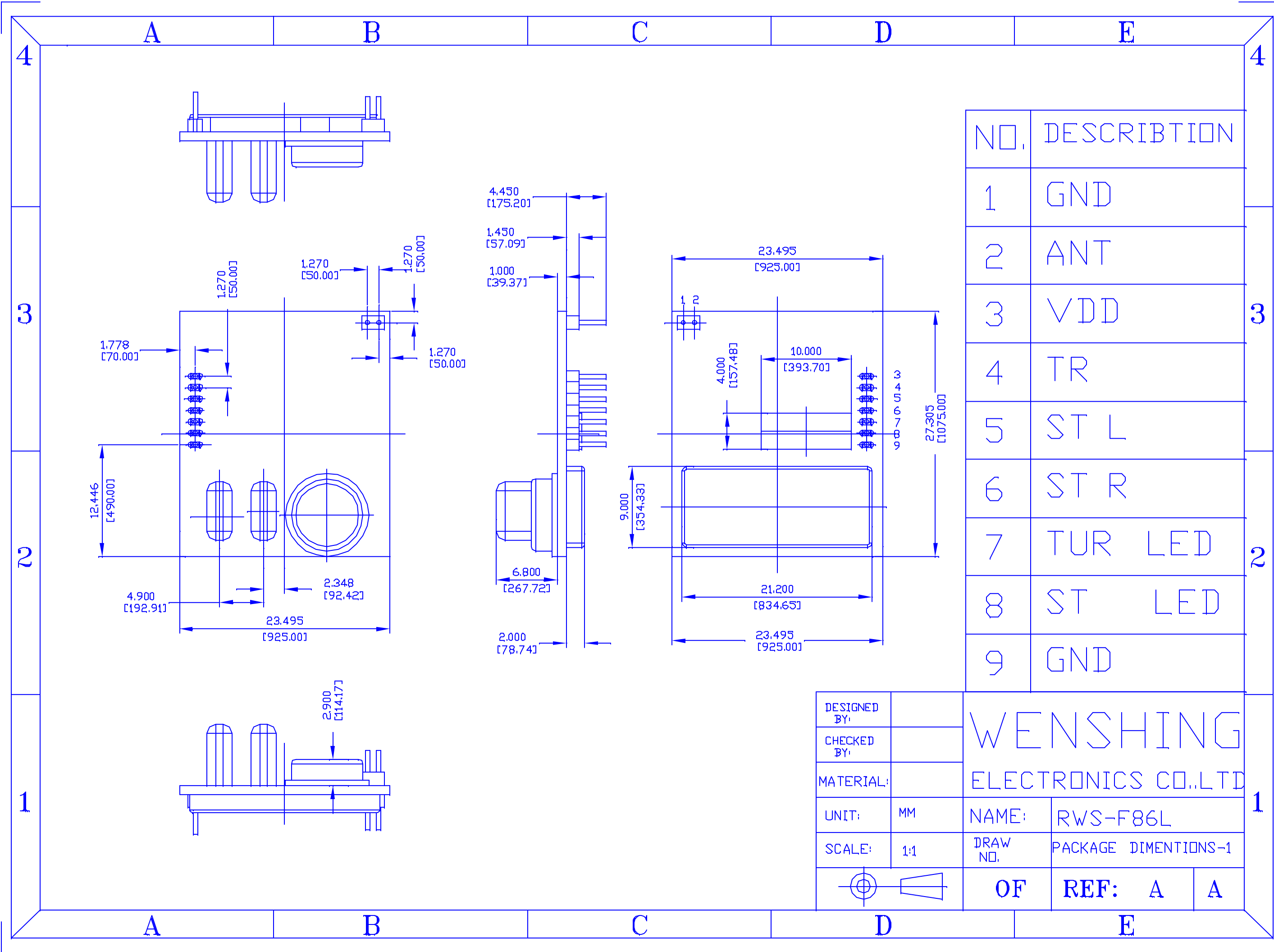
Parameter	Specification			Unit	Condition
	Min.	Typ.	Max.		
Frequency Range	863.5		864.5	MHz	
To adjust frequency Voltage	0		2	V	
Power Supply Voltage	2	3	5.5	V	
Audio out Level				mV	
LED current		10		mA	

Pin	Function	Description
1	GND	GND
2,	ANT	ANTENNA
3	VDD	POWER IN 2-5.5V
4	TR	To adjust frequency 867MHz~869MHz
5	ST L	AUDIO L OUT
6	ST R	AUDIO R OUT
7	TUR LED	VDD 5V
8	ST LED	Stereo point out LED
9	GND	GND

# RWS-F86L DEMO 868MHZ

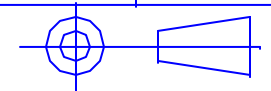


Title			
WENSHING			
Size	Document Number	<RevCode>	Rev
A	RX SP DEMO		
Date:	Sunday, April 21, 2002	Sheet	1 of 1

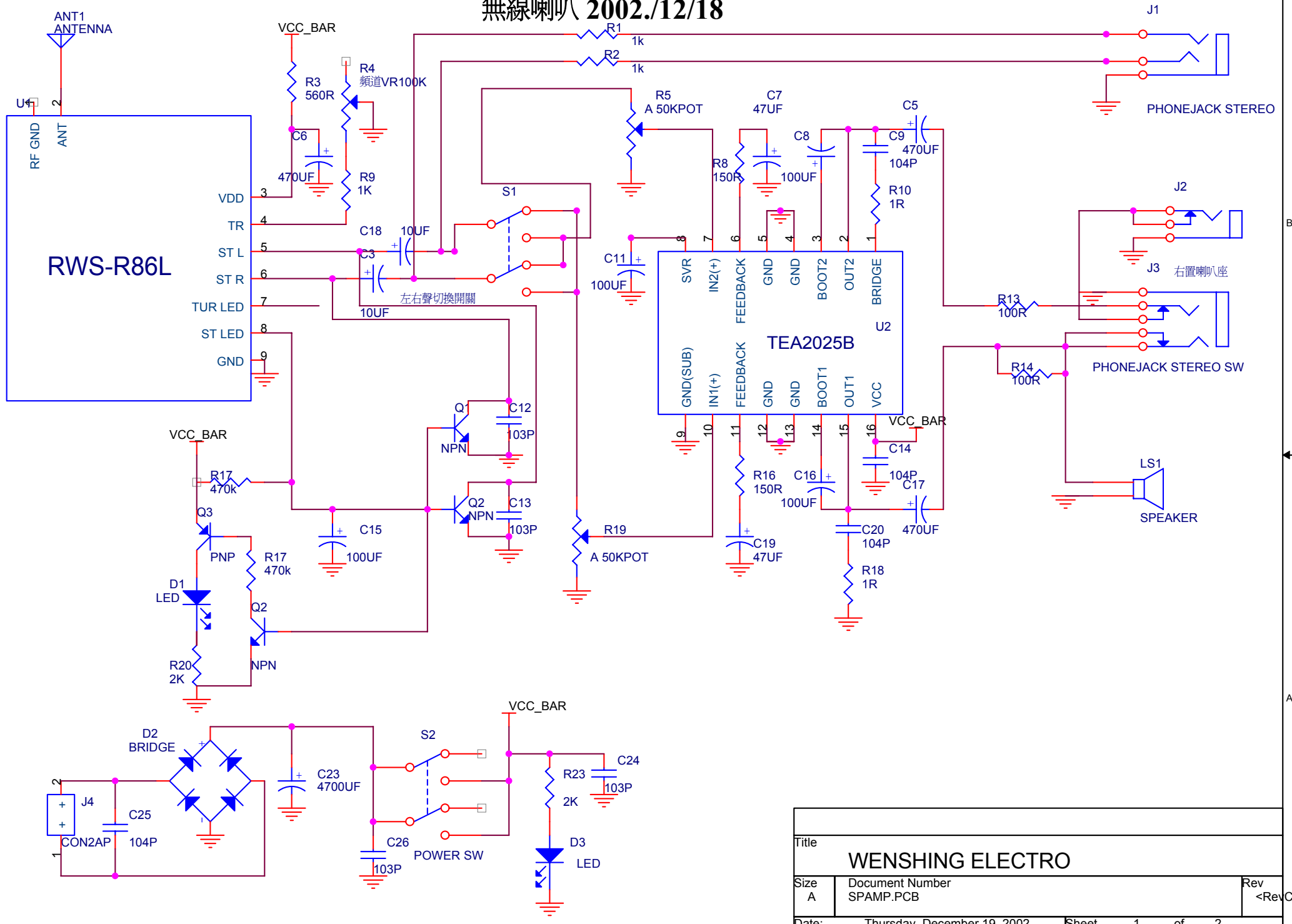


NO.	DESCRIPTION
1	GND
2	ANT
3	VDD
4	TR
5	ST L
6	ST R
7	TUR LED
8	ST LED
9	GND

DESIGNED BY:		WENSHING	
CHECKED BY:			
MATERIAL:		NAME:	RWS-F86L
UNIT:	MM	DRAW NO.:	PACKAGE DIMENTIONS-1
SCALE:	1:1	OF	REF: A A



# 無線喇叭 2002./12/18



Title		
WENSHING ELECTRO		
Size A	Document Number SPAMP.PCB	Rev <RevCode>
Date:	Thursday, December 19, 2002	Sheet 1 of 2