

WENSHING® RWS-88D

FM STRERO RECEIVER

Applications

● FM stereo receiver	● Program Frequency
● 87.5 to 108 MHz and Japanese 76 to 91MHz	● Analog Communication Systems

- **AUDIO OUT 50-16000HZ**
- **Autonomous search tuning function**
- **RF Automatic Gain Control (AGC) circuit**
- **I 2 C-bus and 3-wire bus**
- **Soft mute**

Parameter	Specification			Unit	Condition
	Min.	Typ.	Max.		
Frequency Range	76		108	MHz	
Power Supply Voltage	2.5		5	V	
Audio out Level	60		90	mV	
VCC current	6.0		10.5	mA	

Pin	Function	Description
1	L	AUDIO L OUT
2,	R	AUDIO R OUT
3	ANT	ANTENNA
4	GND	GND
5	VCC	POWER IN 2-5.5V
6	BUSENABLE	Bus enable input
7	BUSMODE	Bus mode select input
8	WRITE/READ	Write/read control input for the 3-wire bus
9	CLOCK	Bus clock line input
10	DATA	Bus data line input/output

WENSHING® RWS-88D

FM 數位選臺立體聲收音機模組

Applications

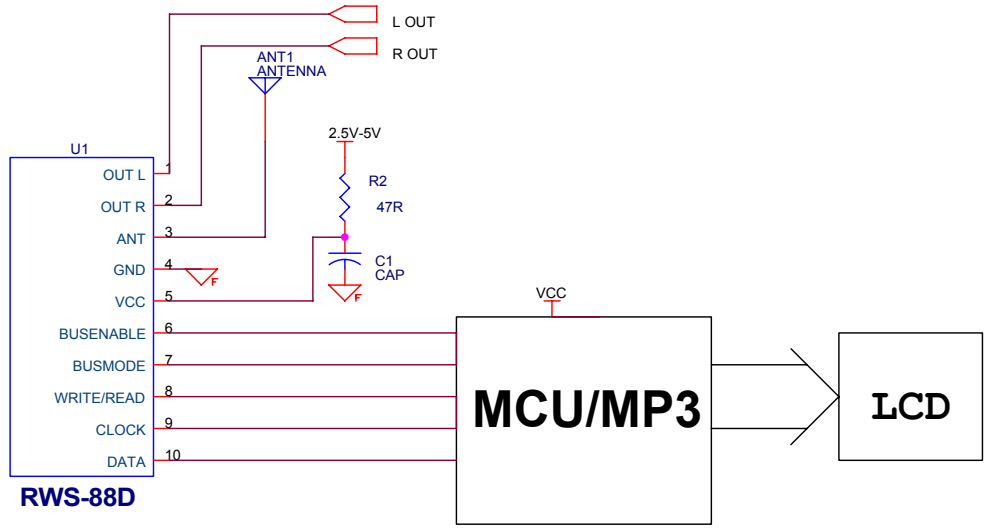
● FM 立體聲輸出	● 軟體選台
● 87.5 to 108 MHz and Japanese 76 to 91MHz	● 線性放大結構

- 聲音輸出頻寬 **50-16000HZ**
- 自動選台功能
- 高頻放大自動增益功能
- **I 2 C-bus and 3-wire bus**
- 軟體靜音功能

Parameter	Specification			Unit	Condition
	Min.	Typ.	Max.		
接收頻率範圍	76		108	MHz	
工作電壓	2.5		5	V	
聲音輸出電壓值(VPP)	60		90	mV	
工作電流	6.0		10.5	mA	

Pin	Function	Description
1	L	AUDIO L OUT
2,	R	AUDIO R OUT
3	ANT	ANTENNA
4	GND	GND
5	VCC	POWER IN 2-5.5V
6	BUSENABLE	Bus enable input
7	BUSMODE	Bus mode select input
8	WRITE/READ	Write/read control input for the 3-wire bus
9	CLOCK	Bus clock line input
10	DATA	Bus data line input/output

FM RADIO 88-108MHZ RECEIVER DEMO SCH



Title		
WENSHING.COM.TW		
Size	Document Number	Rev
A	RWS-88-D	<RevCode>
Date:	星期三, 二月 25, 2004	Sheet 1 of 1
	2	1